



Serum and Linen warming cabinet

PSE - PLE

Our serum and linen warming cabinets allow to store 24/7 your solutes and linens at the desired temperature in safety.



Technical presentation

Functioning

- ▶ Fan-assisted ventilation.
- ▶ Adjustable temperature from 0 °C to 100 °C. Preset to 37 °C for serum and between 50-70 °C for linen.
- ▶ Table-top models that can be easily placed on a trolley.
- ▶ Operational 24/7.

Control

- ▶ Electronic control with PID and SSR keeping temperature variations below 0.3 °C.

Safety

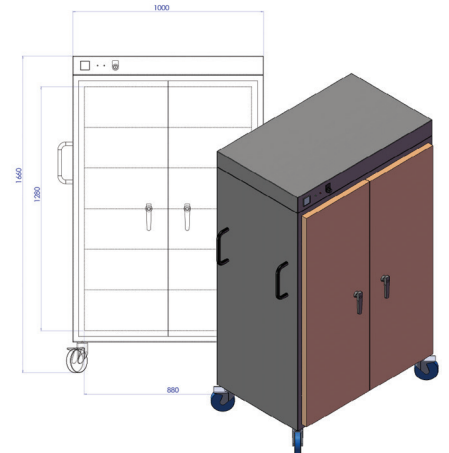
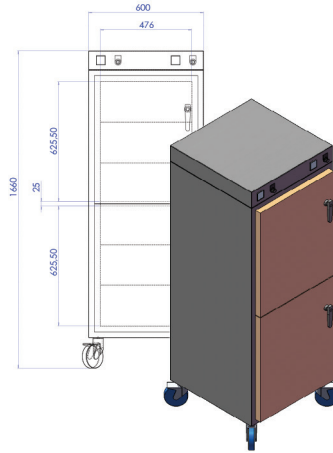
- ▶ Glass door of high strength.
- ▶ Powering and locking with a key button.
- ▶ Overheating safety.
- ▶ Double security locks :
 - temperature blocked on the regulator,
 - device locked with a key entrusted to a manager.

Standard models

- ▶ Two capacities available: 70L and 150L

Designations	Specifications	
Capacity (in L)	70	150
Dimensions W x D x H (in mm)	685 x 600 x 545	795 x 760 x 600
Overall dimensions W x D x H (in mm)	400 x 405 x 360	505 x 595 x 410
Linen warmer	PLE10000	PLE10001
Serum warmer	PSE10000	PSE10001

We can adapt our products to your desired size and capacity. Besides, products can be vertically assembled to form a mobile warming cabinet. Each compartment operates independently from each other.



Standards, certifications

Our PSE and PLE comply with the following European Standards:

CE Conformity:

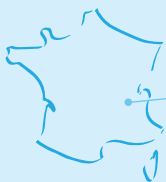
- ▶ **EN 50081-1** : Electromagnetic compatibility, generic emission standard. Part 1: Residential, commercial and light industry.
- ▶ **EN 50081-2** : Electromagnetic compatibility, generic emission standard. Part 2: Industrial environment.
- ▶ **EN 50082-1** : Electromagnetic compatibility, generic immunity standard. Part 1: Residential, commercial and light industry.
- ▶ **EN 50082-2** : Electromagnetic compatibility, generic immunity standard. Part 2: Industrial environment.
- ▶ **EN 61010-1** : Safety requirements for electrical equipment for measurement and laboratory use. Part 1.



Our PSE and PLE meet the following requirements:

- ▶ **Directive 89/336/CEE** : Electromagnetic compatibility directive.
- ▶ **Directive 73/23/CEE** : Low voltage directive.

Contact :



📍 HSC - 41 rue Vaucanson - 69150 Décines-Charpieu - FRANCE
 ☎ +33(0) 4 72 14 16 18
 📠 +33(0) 4 78 26 64 90
 ✉ info@hsc-inox.com
 🌐 www.hsc-inox.com

ISO 9001 :



Our company is committed to improve continuously its quality process based on its management system ISO 9001 certified. Our objective is to ensure that products and services meet all our customers expectations.